

ROUND BRASS PENDANT (SMALL) — SRP

BRASS, 1968

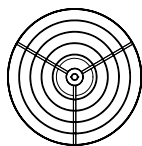
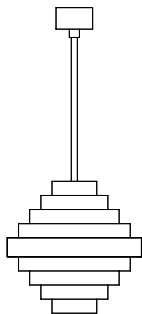


The small round pendant lamp is composed of a series of 9 brass circles. The source of light is protected and hidden by the metal circles. The lamp is hanging on a metal rod that has an adjustable height.

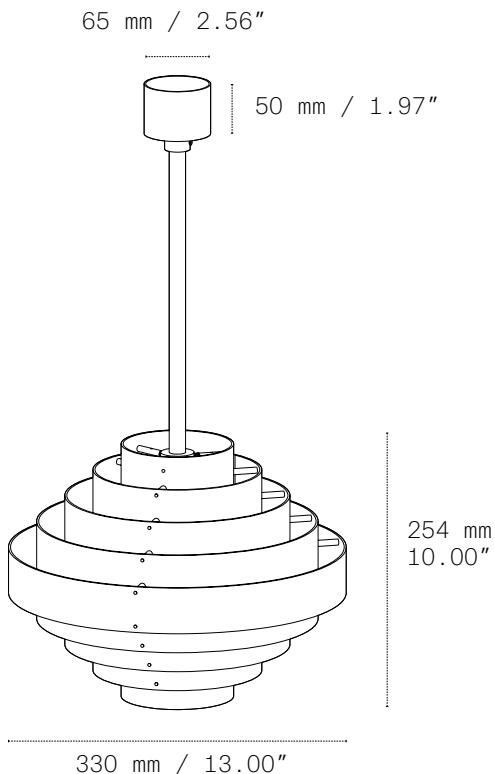
INFO@JULESWABBES.COM
WWW.JULESWABBES.COM

Jules Wabbes
GENERALDECORATION

ROUND BRASS PENDANT (SMALL) — SRP



Dimensions are approximate and may vary slightly.



FINISHES



Polished
Brass
SRP-PB



Nickel-Plated
Brass
SRP-NPB



Brushed
Brass
SRP-BB

DIMENSIONS (mm / inch — kg / lbs)

LENGHT	WIDTH	HEIGHT	WEIGHT
330 / 13.00	330 / 13.00	254 / 10	5,4 / 11.91