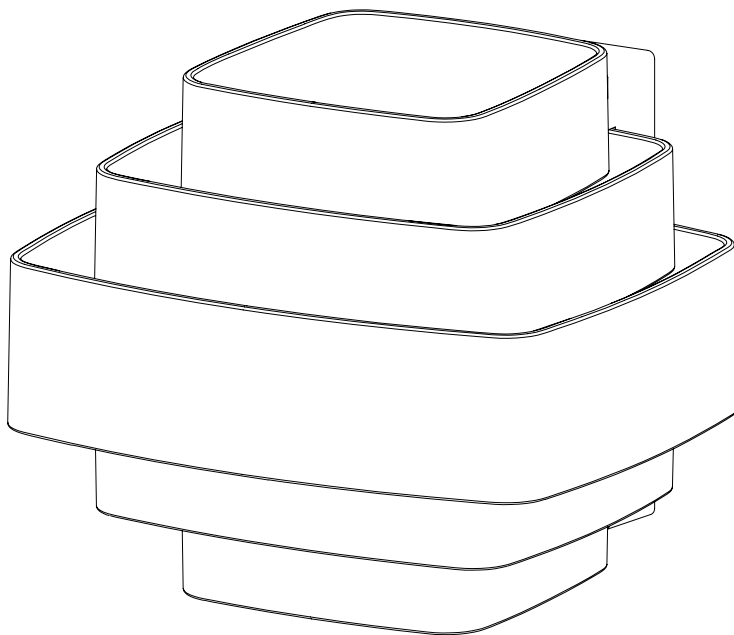
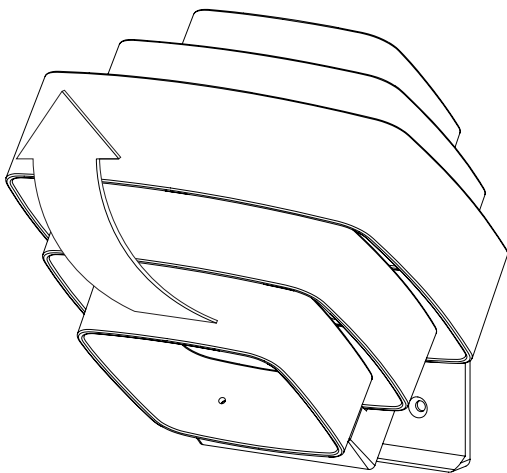


# ASSEMBLY INSTRUCTIONS



**INFO@JULESWABBES.COM**  
**WWW.JULESWABBES.COM**

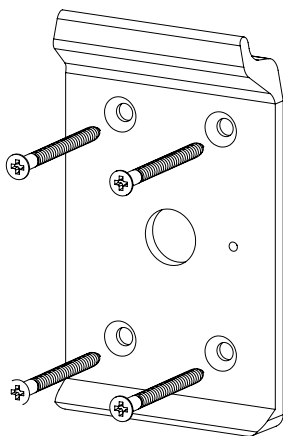
**GEDE**



1



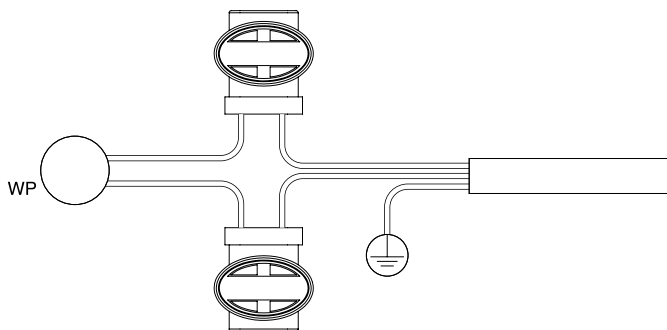
**X4**



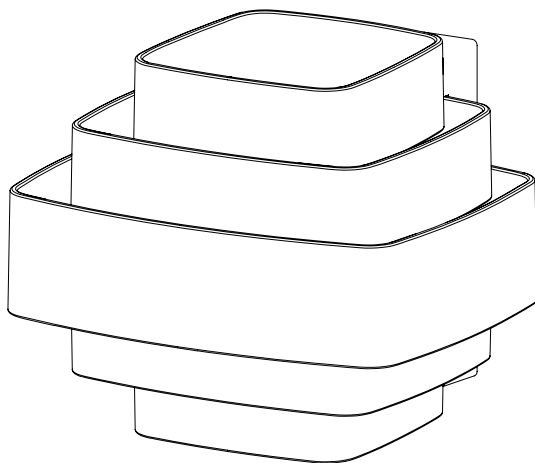
2



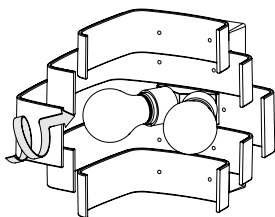
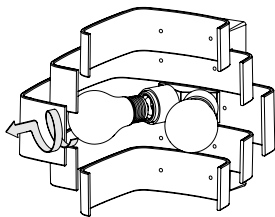
**X2**



**3**



**4**



5

## TECHNICAL SPECIFICATIONS

Materials: Bronze, Raw or Polished

Length: 260 mm - 10.65"

Height: 205 mm - 8.00"

Depth: 230 mm - 9.00"

Weight: 9,1 kg - 20.06 lbs

Light Bulb: E27 Max 60W - E26 Max 40W

Power: AC 240V - 120V

Material to be placed by a licensed electrician, otherwise we assume no liability or guarantee. The material has been checked and tested by our care before delivery and is fully compliant.

**GENERALDECORATION**

**SPRL GENERAL DECORATION 20 ROUTE DE BEAUMONT 1380 LASNE**