

PEG DOOR HANDLE — PDH1017

BRONZE, 1969

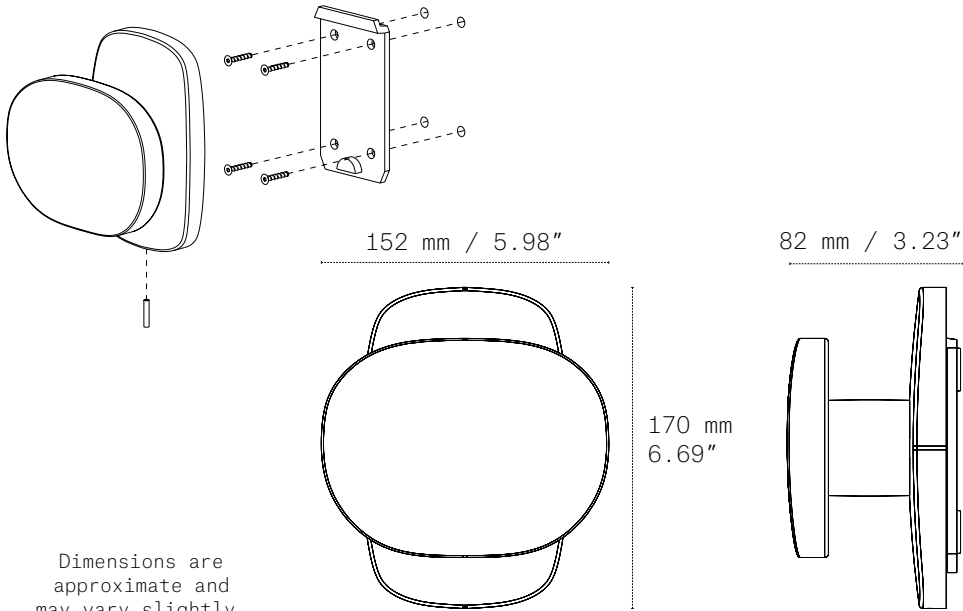


As the name suggests, this large door handle looks a lot like the Coat Peg – the only difference is that the Coat Peg has two hidden hooks. It can be fixed vertically or horizontally and on both sides of the door. The raw bronze is soft and smooth. It can be used outside by all weather and gets a beautiful patina with time.

INFO@JULESWABBES.COM
WWW.JULESWABBES.COM

Jules Wabbes
GENERALDECORATION

PEG DOOR HANDLE — PDH1017



FINISHES



Raw Bronze
PDH1017-R



Polished Bronze
PDH1017-P



Chrome-Plated bronze
PDH1017-CP

DIMENSIONS (mm / inch — kg / lbs)

LENGTH	DEPTH	HEIGHT	WEIGHT
152 / 5.98	82 / 3.23	170 / 6.69	4.40 / 9.70