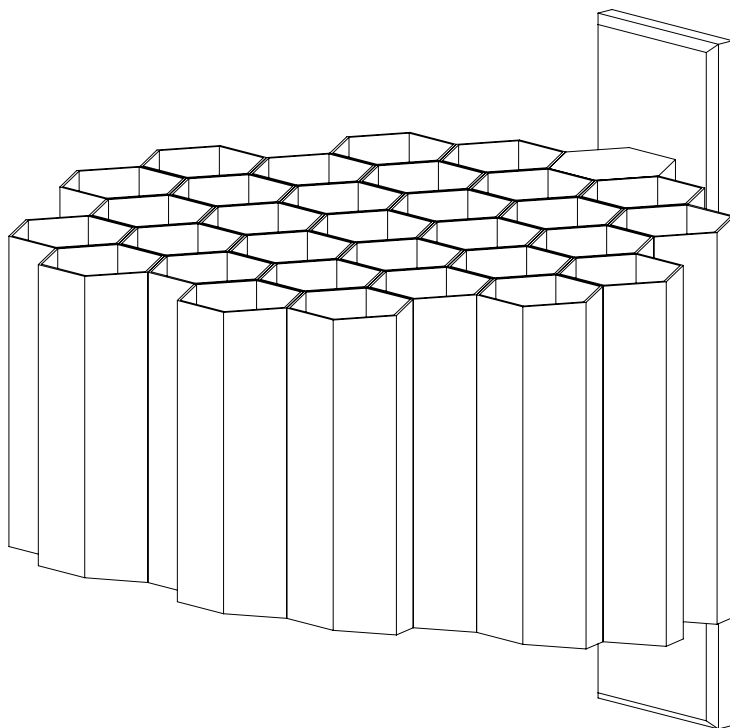
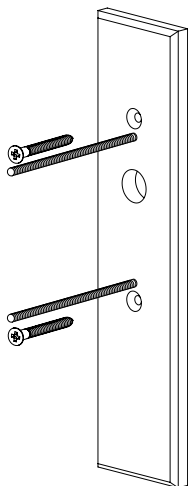
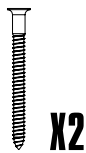


# ASSEMBLY INSTRUCTIONS

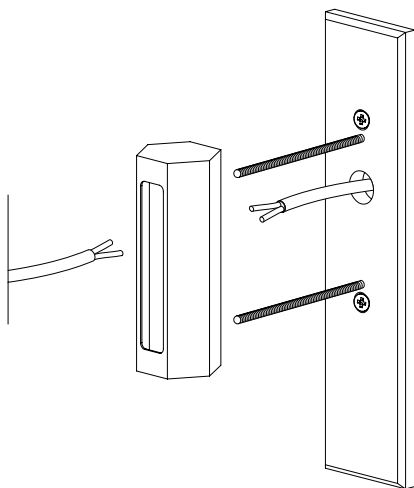
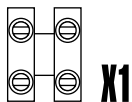


**INFO@JULES WABBES.COM**  
**WWW.JULESWABBES.COM**

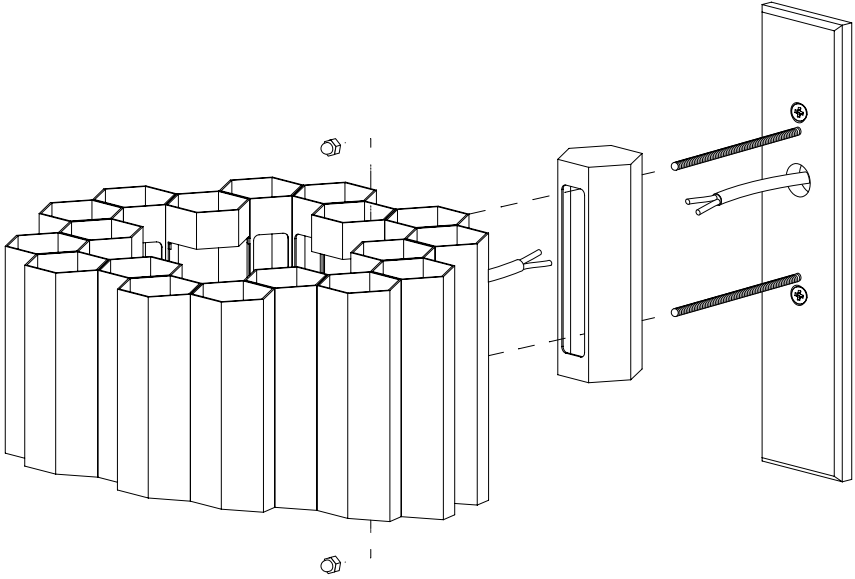
**GEDE**



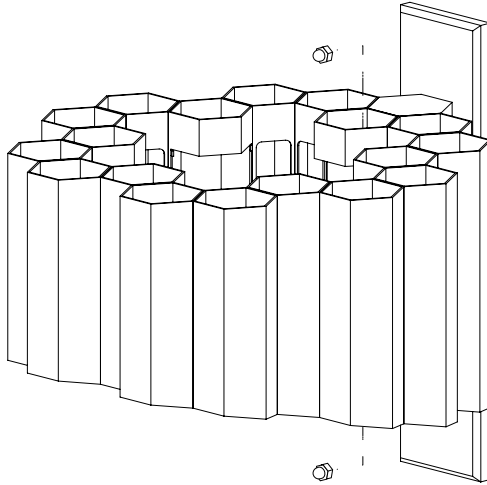
1



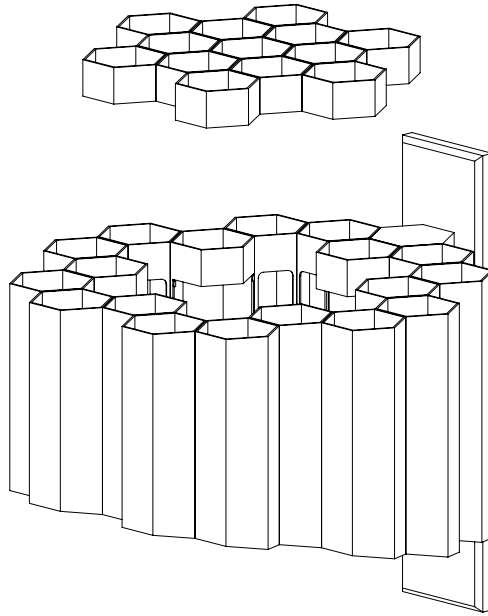
2



3



4



5

## TECHNICAL SPECIFICATIONS

Materials: Brass (Polished or Nickel-Plated)

Length: 254 mm - 10.00"

Depth: 270 mm - 10.65"

Height: 250 mm - 9.85"

Weight: 4.5 kg - 9.92 lbs

Light Bulb: E27 Max 60W - E26 40W

Power: AC 220-240V - 120V

Material to be placed by a licensed electrician, otherwise we assume no liability or guarantee. The material has been checked and tested by our care before delivery and is fully compliant.

**GENERALDECORATION**

**SPRL GENERAL DECORATION 20 ROUTE DE BEAUMONT 1380 LASNE**