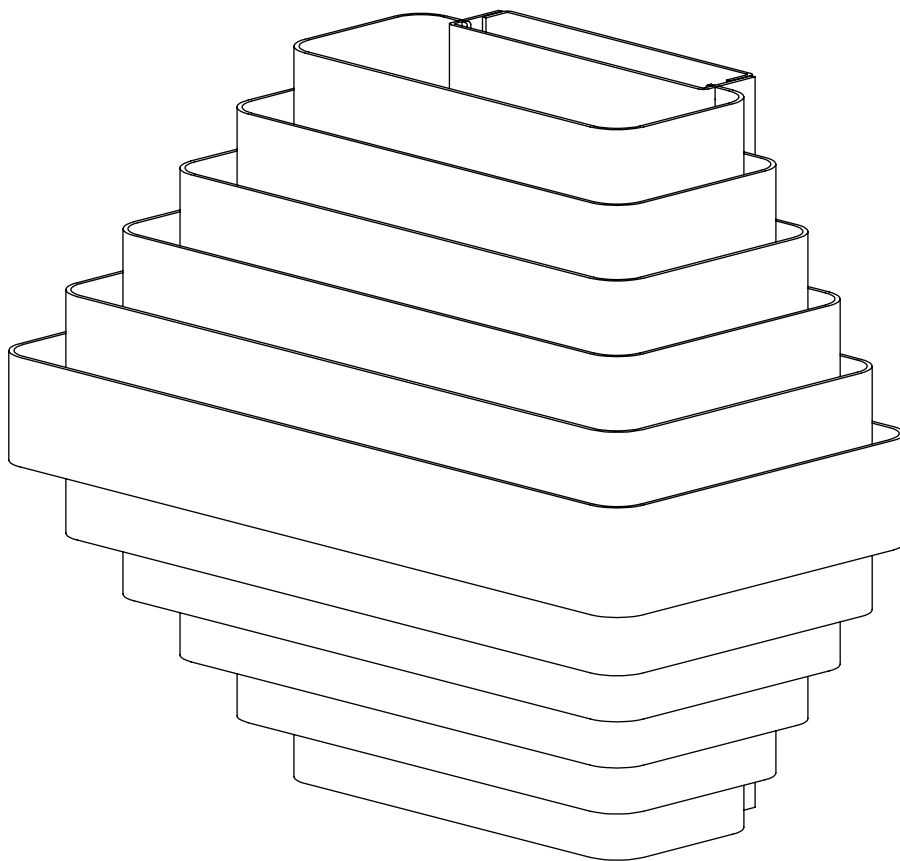
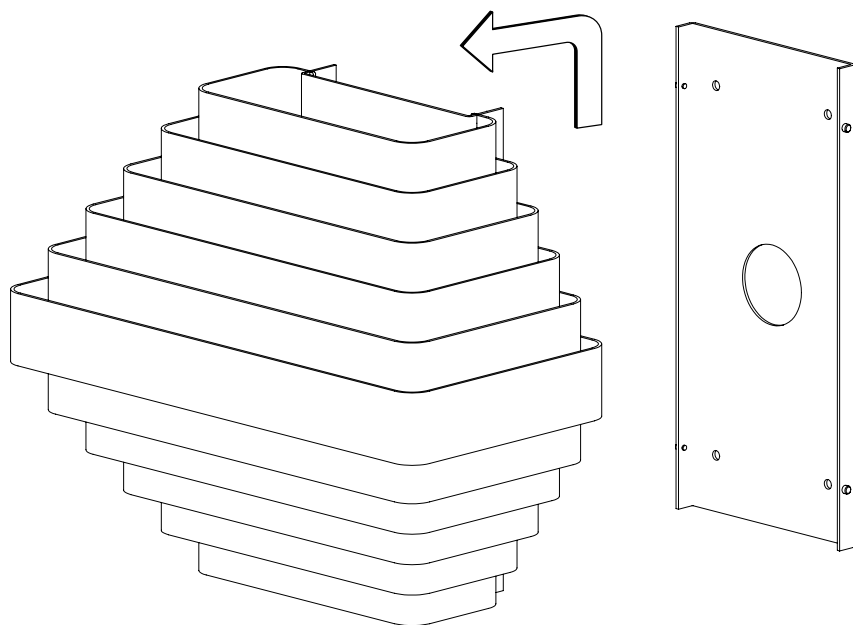


# ASSEMBLY INSTRUCTIONS

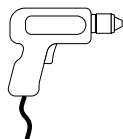


**INFO@JULESWABBES.COM**  
**WWW.JULESWABBES.COM**

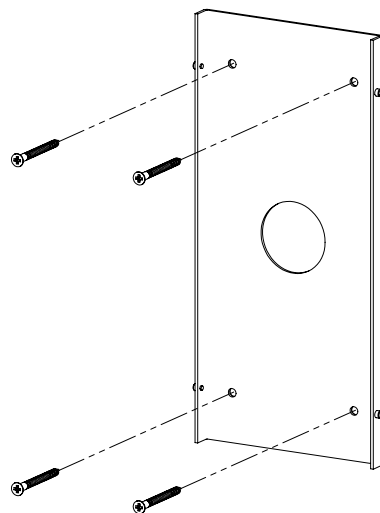
**GEDE**



1



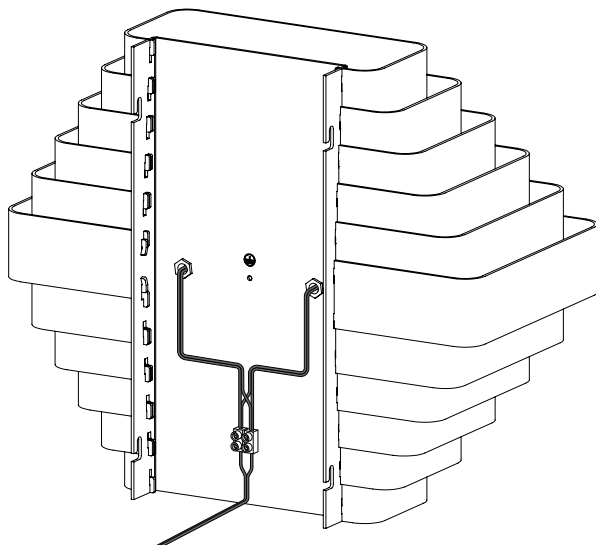
X4



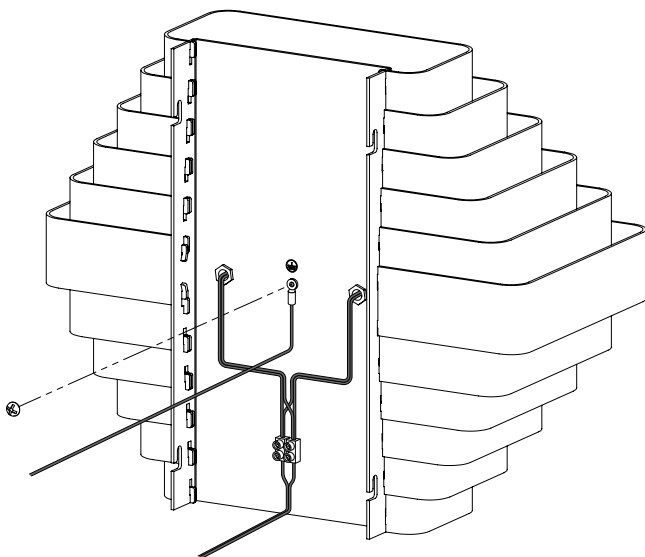
2



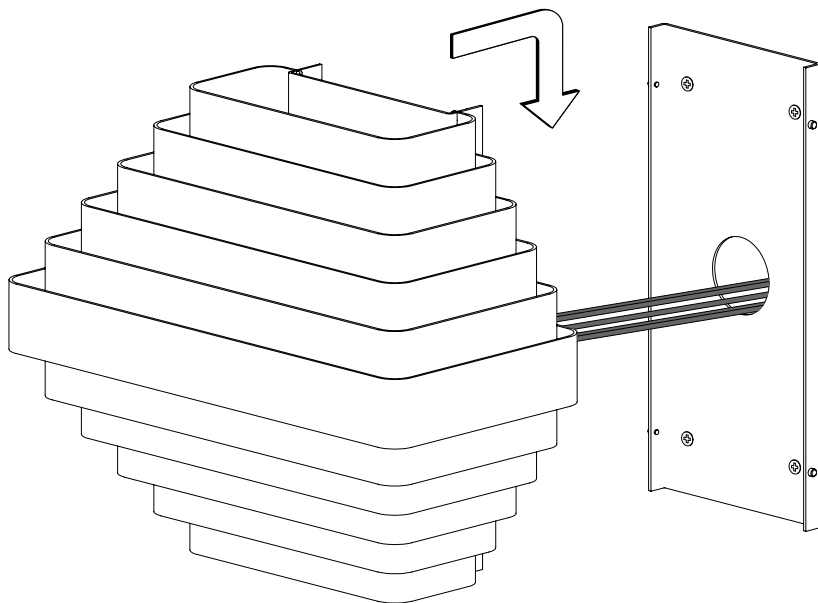
X2



3



4



5

## TECHNICAL SPECIFICATIONS

Materials: Brass (Polished, brushed or Nickel-Plated)

Length: 350 mm - 13.80"

Depth: 181 mm - 7.20"

Height: 300 mm - 11.80"

Weight: 6,5 kg - 14,33 lbs

Light Bulb: E27 Max 60W - E26 40W

Power: AC 240V - 120V

Material to be placed by a licensed electrician, otherwise we assume no liability or guarantee. The material has been checked and tested by our care before delivery and is fully compliant.

**GENERALDECORATION**

**SPRL GENERAL DECORATION 20 ROUTE DE BEAUMONT 1380 LASNE**