

FIRE BELT — W1031

IRON / BRONZE, 1969

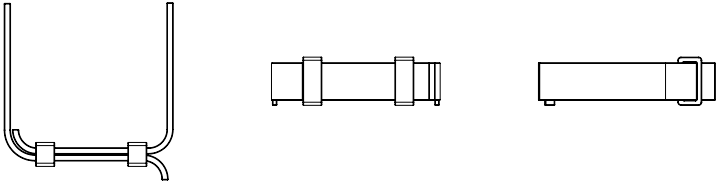
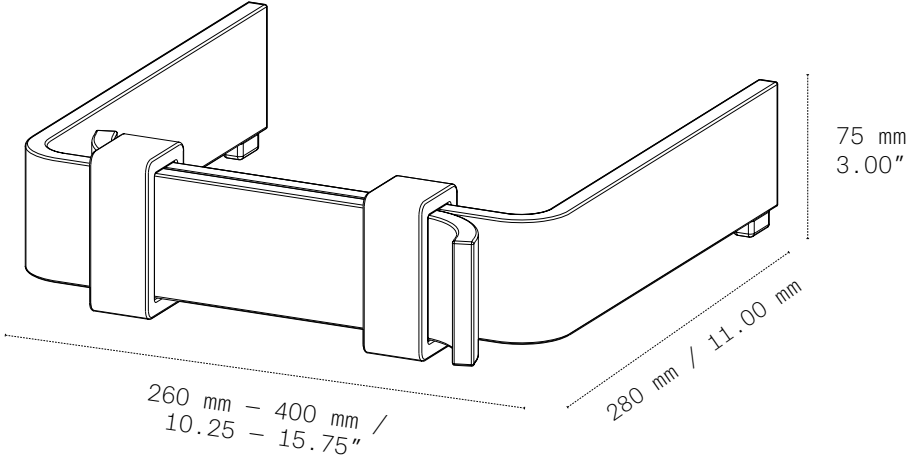


The Fire Belt is handmade in iron and polished bronze, both materials preferred by Wabbes for their particular patina once regularly used and blackened by fire. Its design allows the piece to be adjusted in width (260-400mm), by simply gliding its two parts through the two buckles. This ingenious model describes an elegant curve around the fireplace. Its shape is directly inspired by the one of a regular leather belt. The model was created in 1969 for GENERAL DECORATION.

INFO@JULESWABBES.COM
WWW.JULESWABBES.COM

Jules Wabbes
GENERALDECORATION

FIRE BELT — W1031



Dimensions are approximate and may vary slightly.

FINISHES



Iron Cast



Polished Bronze

DIMENSIONS (mm / inch — kg / lbs)

LENGHT	WIDTH	HEIGHT	WEIGHT
280 / 11.00	260 / 10.25 400 / 15.75	75 / 3.00	5,4 / 11.91