

# COAT PEG — W1016

BRONZE, 1969

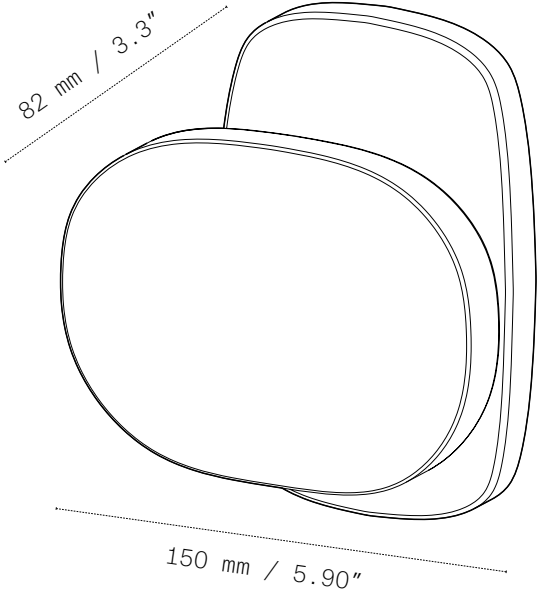
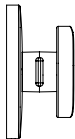
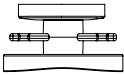
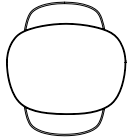


These coat pegs were conceived like a sculpture. Two hooks are placed on each side to hang coats of a slightly concave oval. Designed around 1969 and edited by GENERAL DECORATION, this original creation is of exceptional beauty. Designers rarely use noble materials or generous rounded shapes to design coat pegs. This model decorated the vaults of the former Générale de Banque in Brussels.

[INFO@JULESWABBES.COM](mailto:INFO@JULESWABBES.COM)  
[WWW.JULESWABBES.COM](http://WWW.JULESWABBES.COM)

**Jules Wabbes**  
GENERALDECORATION

# COAT PEG — W1016



Dimensions are approximate and may vary slightly.

## FINISHES



Raw Bronze  
W1016-R



Polished Bronze  
W1016-P



Chrome-Plated bronze  
W1016-CP

## DIMENSIONS (mm / inch — kg / lbs)

| LENGHT     | DEPTH    | HEIGHT     | WEIGHT      |
|------------|----------|------------|-------------|
| 150 / 5.90 | 82 / 3.3 | 170 / 6.70 | 4,8 / 10.58 |