

# CABINET HANDLE — CH1047

BRONZE, 1969

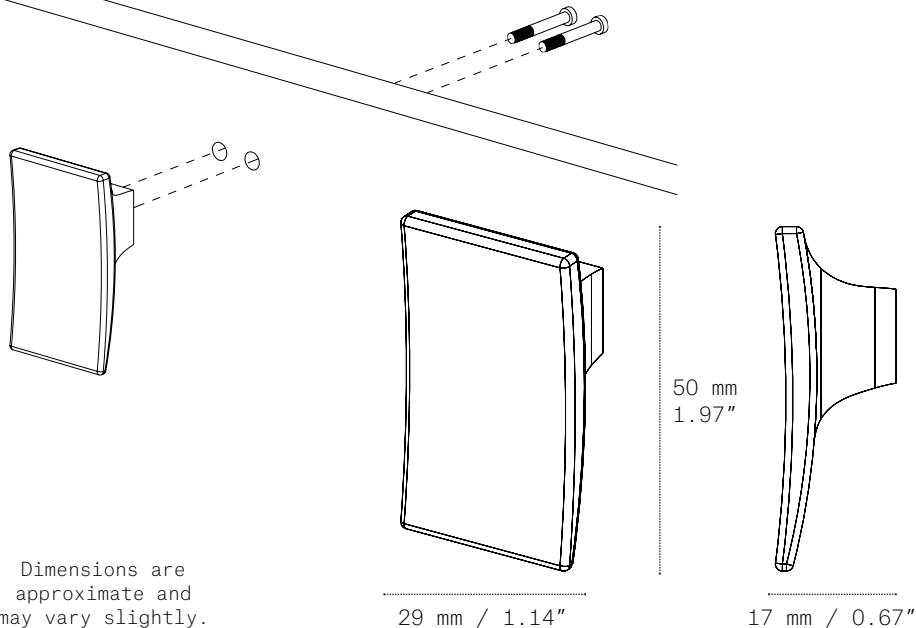


The first handles designed by Jules Wabbes were created for the drawers of his desks before 1957. Wabbes loved the look and feel of raw bronze and polished brass. He utilized them for lamps and accessories. Wabbes then designed a full collection of pull, door and furniture handle when he launched General Decoration in 1969. The smoothness of the handle together with its firm grip, the patina and the way the handle captures light make these pieces a must-have in a sophisticated interior.

[INFO@JULESWABBES.COM](mailto:INFO@JULESWABBES.COM)  
[WWW.JULESWABBES.COM](http://WWW.JULESWABBES.COM)

**Jules Wabbes**  
GENERALDECORATION

# CABINET HANDLE — CH1047



## FINISHES



Brushed Brass  
CH1047-B



Nickel Plated Brass  
CH1047-NP



Polished Brass  
CH1047-P



Polished Bronze  
CH1047-PB

## DIMENSIONS (mm / inch — kg / lbs)

LENGTH	DEPTH	WIDTH	WEIGHT
50 / 1.97	17 / 0.67	29 / 1.14	0.75 / 0.26