

11 BANDS WALL LAMP

BRASS, 1968

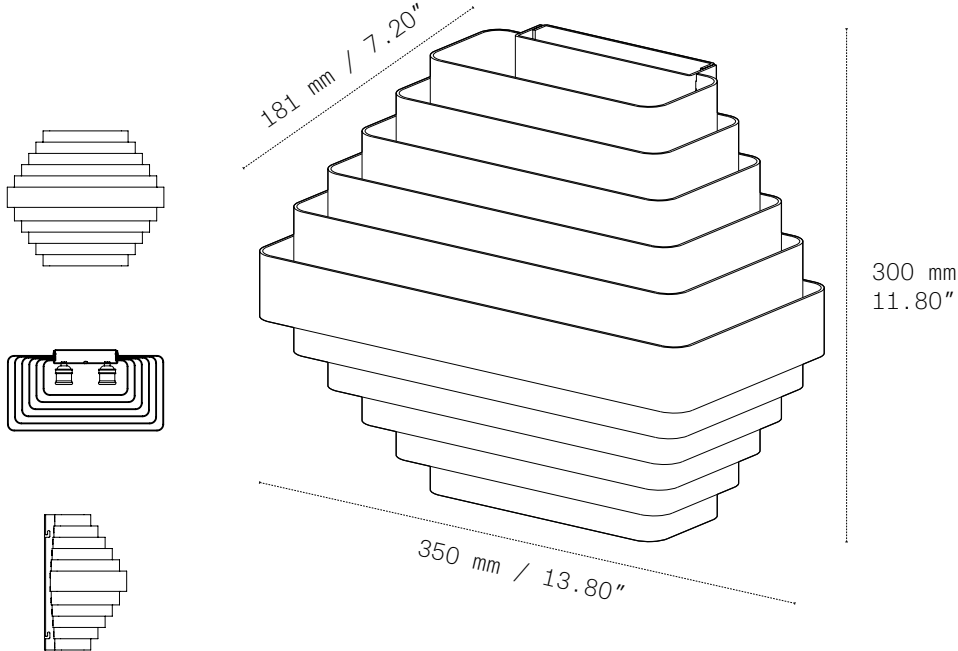


This large wall lamp is composed of eleven curved brass bands. It belongs to the same family as the Mini Wall Lamp and the 5-Band Wall Lamp. It was designed in 1968 for the Mobilier Universel and became part of GENERAL DECORATION's catalogue. This lamp was created by Jules Wabbes after the Honeycomb Wall Lamp and following the same principle. Light is diffused through the shiny metal bands which makes for beautiful shades to be projected on the wall.

INFO@JULESWABBES.COM
WWW.JULESWABBES.COM

Jules Wabbes
GENERALDECORATION

11 BANDS WALL LAMP — 11BWL



Dimensions are approximate and may vary slightly.

FINISHES



Polished Brass
11BWL-PB



Nickel-Plated Brass
11BWL-NPB

DIMENSIONS (mm / inch — kg / lbs)

LENGHT	DEPTH	HEIGHT	WEIGHT
350 / 13.80	181 / 7.20	300 / 11.80	6,5 / 14.33