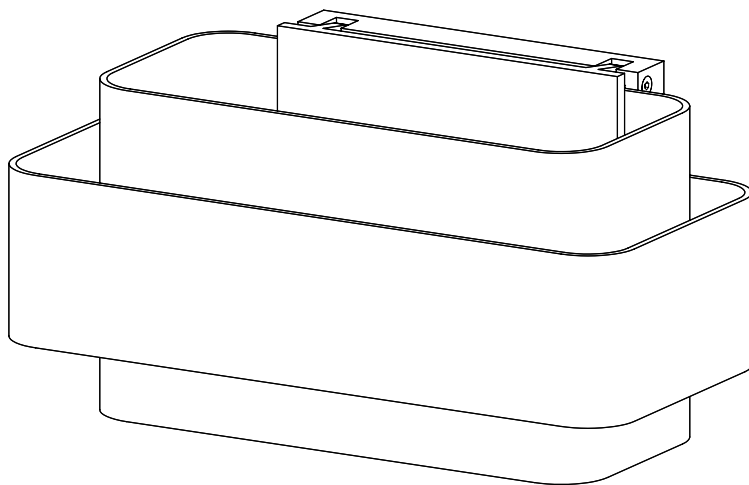
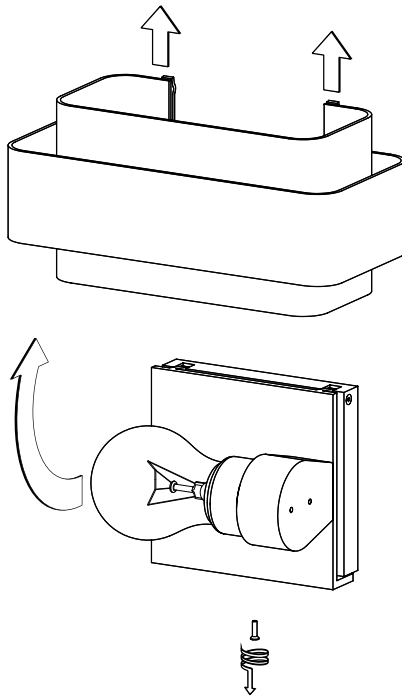


ASSEMBLY INSTRUCTIONS

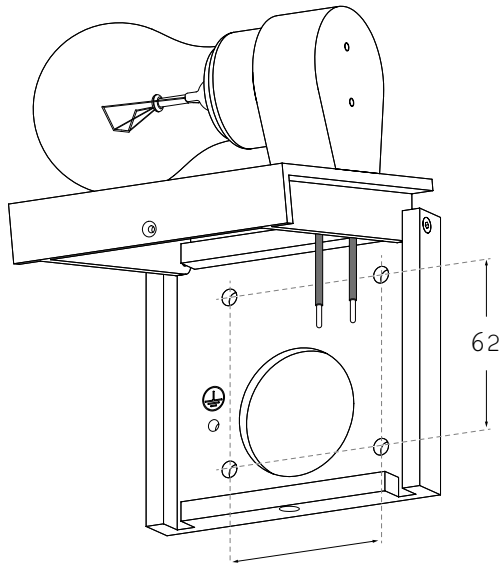


INFO@JULESWABBES.COM
WWW.JULESWABBES.COM

GEDE



1

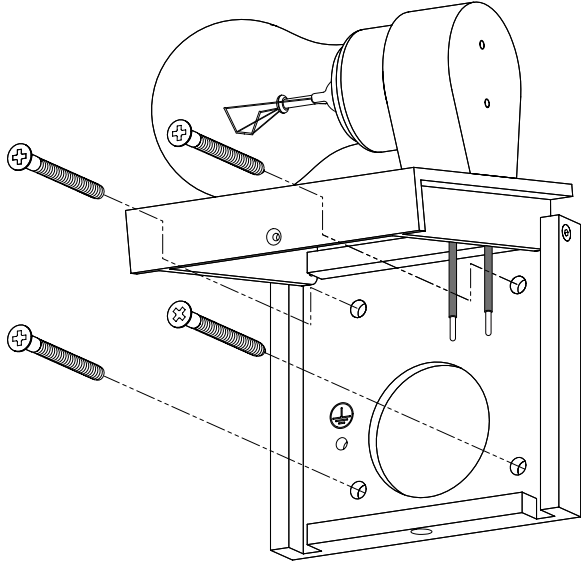


2

Drill the holes



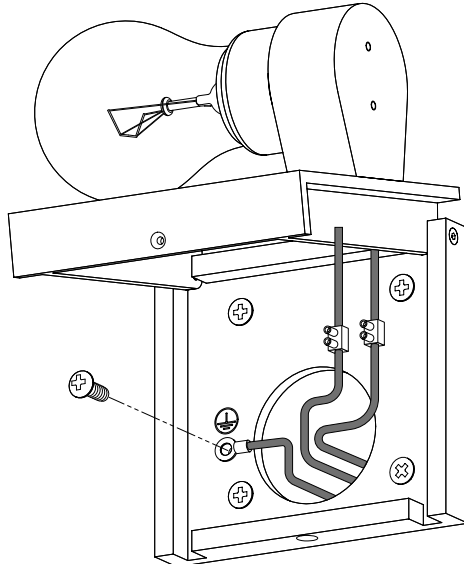
X4



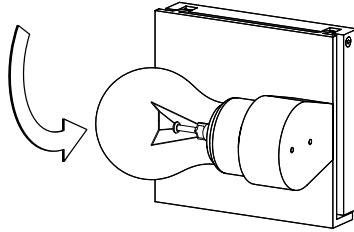
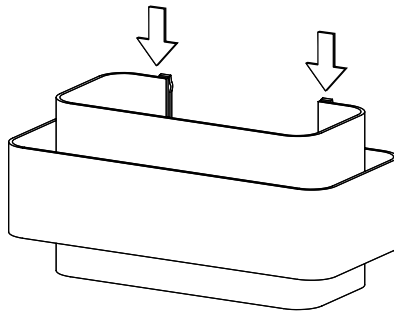
3



X2



4



5

TECHNICAL SPECIFICATIONS

Materials: Brass (Polished, Brushed, Nickel-Plated)

Length: 200 mm - 7.87"

Depth: 110 mm - 4.35"

Height: 106 mm - 4.20"

Weight: 2 kg - 4.41 lbs

Light Bulb: E27 Max 60W - E26 40W

Power: AC 220-240V - 120V

Material to be placed by a licensed electrician, otherwise we assume no liability or guarantee. The material has been checked and tested by our care before delivery and is fully compliant.

GENERALDECORATION

SPRL GENERAL DECORATION 20 ROUTE DE BEAUMONT 1380 LASNE