

# X-LARGE WALL LAMP (INTERIOR) — W1050

BRONZE, 1969



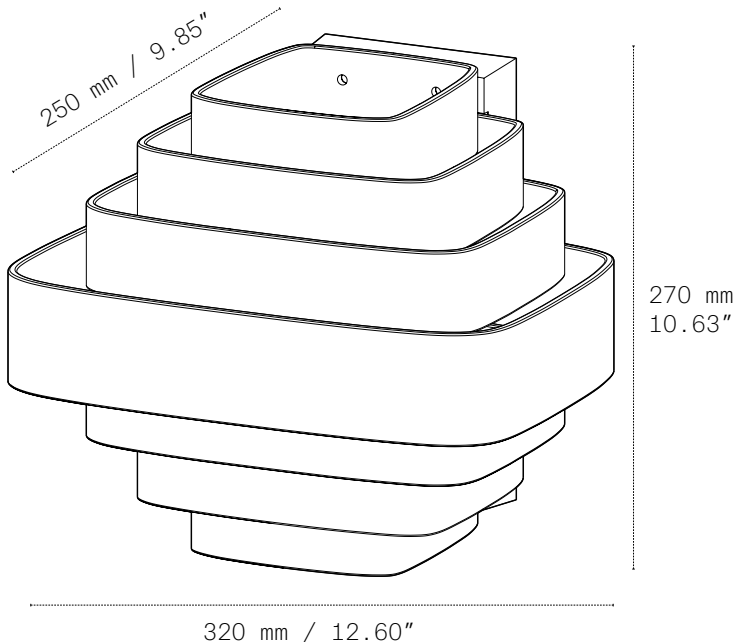
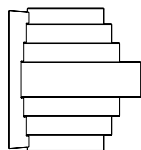
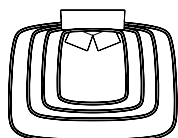
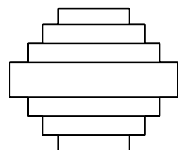
Bronze is an alloy of copper and tin. It's a highly resistant material with a beautiful dark colour that develops a patina over time and can be gilded if polished. Jules Wabbes was fascinated by noble materials and objects that could withstand the test of time. His creations are meant to express the highest quality through the use of excellent materials. Every element of the lamp serves a function, and it's a game of assembly.

Sconce made of five rings of cast bronze. The bronze takes a beautiful patina with time. The light spreads harmoniously above and under the bronze shade and across the rings with a magnificent effect.

**INFO@JULESWABBES.COM**  
**WWW.JULESWABBES.COM**

**Jules Wabbes**  
GENERALDECORATION

# X-LARGE WALL LAMP (INTERIOR) — W1050



Dimensions are approximate and may vary slightly.

## FINISHES



Raw Bronze  
W1050-R



Polished Bronze  
W1050-P

## DIMENSIONS (mm / inch — kg / lbs)

LENGTH	DEPTH	HEIGHT	WEIGHT
320 / 12.60	250 / 9.85	270 / 10.63	13,5 / 29.76