

# SQUARE HANDLE — SH1046

BRONZE, 1969

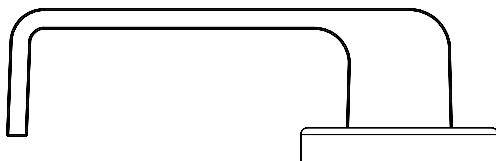
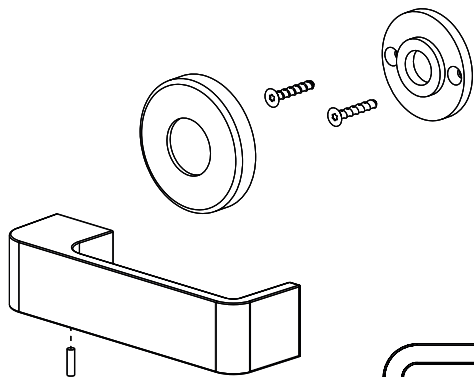


The Square Handle evokes a sense of lightness, thanks to the precise space between the end of the handle and the door. The spacing is perfectly balanced. Jules Wabbes' handles go beyond being mere design objects; they symbolise his philosophy.

**INFO@JULESWABBES.COM**  
**WWW.JULESWABBES.COM**

**Jules Wabbes**  
GENERALDECORATION

# SQUARE HANDLE — SH1046



42 mm  
1.65"

Dimensions are approximate and may vary slightly.

120 mm / 4.72"

148 mm / 5.83"

## FINISHES



Raw Bronze  
SH1046-R



Polished Bronze  
SH1046-P



Nickel-plated Bronze  
SH1046-NP

## DIMENSIONS (mm / inch — kg / lbs)

LENGTH (UNTIL CENTER)	DEPTH	LENGTH (TOTAL)	WEIGHT
120 / 4.72	42 / 1.65	148 / 5.83	0.65 / 0.23