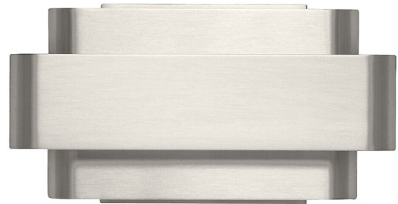


MINI WALL LAMP — MWL

BRASS, 1969



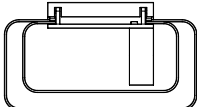
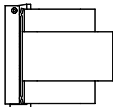
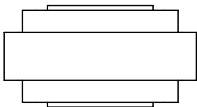
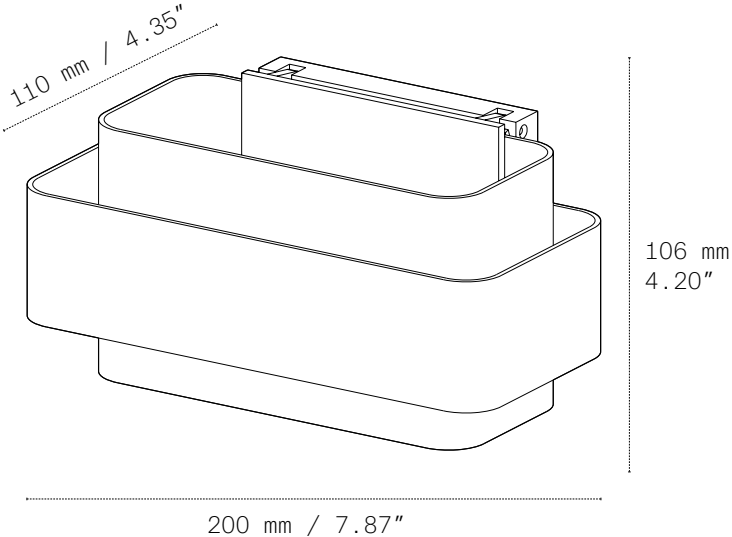
The Mini Wall Lamp is composed of three curved brass sheets. It belongs to the same family as the 5-Band and 11-Band Wall Lamp.

The Mini Wall Lamp was designed for GENERAL DECORATION in 1969 as a jewel, a precious ring for the house.

INFO@JULESWABBES.COM
WWW.JULESWABBES.COM

Jules Wabbes
GENERALDECORATION

MINI WALL LAMP — MWL



Dimensions are approximate and may vary slightly.

FINISHES



Polished Brass
MWL-PB



Brushed Brass
MWL-BB



Nickel-Plated Brass
MWL-NPB

DIMENSIONS (mm / inch — kg / lbs)

LENGHT	DEPTH	HEIGHT	WEIGHT
200 / 7.87	110 / 4.35	106 / 4.20	2 / 4.41