

OSAKA CEILING LAMP — OCL

BRASS, 1970



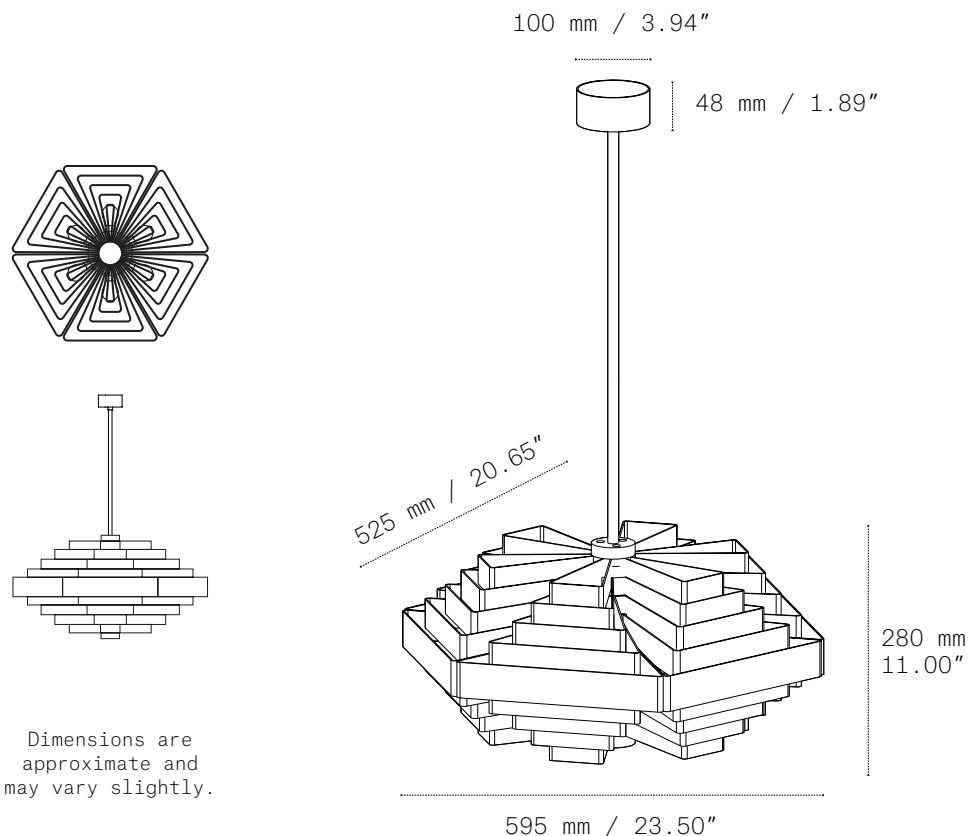
The Osaka chandelier was created for the World Expo in Japan in 1970, with the theme "Progress and Harmony for Humanity". It was the first time the exhibition was held in Japan. Architect Kenzo Tange was the artistic director. Jules Wabbes designed for the Belgian pavilion, whose architect was his former partner André Jacqmain, this magnificent golden hexagonal chandelier. The Osaka chandelier represents the culmination of lighting previously designed by the Belgian designer using folded metal strips.

Here, the assembly work is very intricate. All the pieces revolve around the central axis. The reflections projected on the ceiling create a magical atmosphere. The chandelier floods the room with golden rays. It is a jewel for the ceiling.

INFO@JULESWABBES.COM
WWW.JULESWABBES.COM

Jules Wabbes
GENERALDECORATION

OSAKA CEILING LAMP — OCL



FINISHES



Brushed Brass
OCL-BB



Nickel-Plated Brass
OCL-NPB

DIMENSIONS (mm / inch — kg / lbs)

LENGHT	WIDTH	HEIGHT	WEIGHT
595 / 23.50	525 / 20.65	280 / 11	24 / 52.91