

HONEYCOMB WALL LAMP

NICKEL-PLATED BRASS, 1953



The Honeycomb Wall Lamp is composed of 32 hexagonal tubes brazed by hand. The lamp is available either in nickel-plated brass or polished brass.

This iconic lamp was designed in 1953 for the high entrance hall of the Declercq's house built by André Jacquain and Jules Wabbes. To ensure it could be seen from both below and above, Jules Wabbes designed a lamp made of soldered hexagonal tube sections, so that the light source (bulb) is filtered from both sides by the metallic structure.

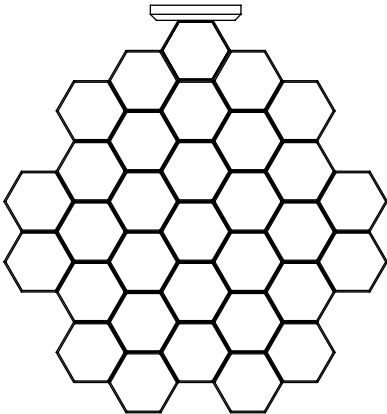
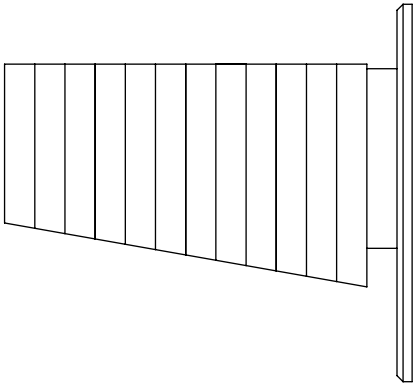
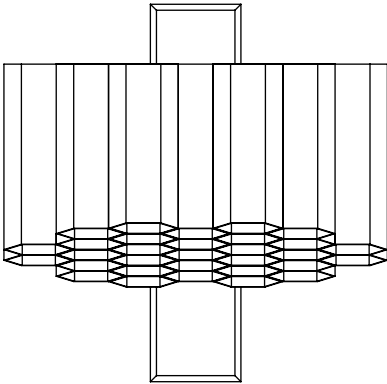
The Honeycomb Wall Lamp is a classic of our lamp range and is an exclusivity of GEDE.

INFO@GENERALDECORATION.COM
WWW.GENERALDECORATION.COM

GEDE

HONEYCOMB WALL LAMP

NICKEL-PLATED BRASS, 1953



DIMENSIONS (MM)			WEIGHT	FINISHES
LENGHT	WIDTH	HEIGHT	4,5 Kg	Nickel-Plated Brass
272	256	250		
GENERALDECORATION			SPRL GENERAL DECORATION 20 ROUTE DE BEAUMONT 1380 LASNE	

HONEYCOMB WALL LAMP

POLISHED BRASS, 1953



The Honeycomb Wall Lamp is composed of 32 hexagonal tubes brazed by hand. The lamp is available either in nickel-plated brass or polished brass.

This iconic lamp was designed in 1953 for the high entrance hall of the Declercq's house built by André Jacquain and Jules Wabbes. To ensure it could be seen from both below and above, Jules Wabbes designed a lamp made of soldered hexagonal tube sections, so that the light source (bulb) is filtered from both sides by the metallic structure.

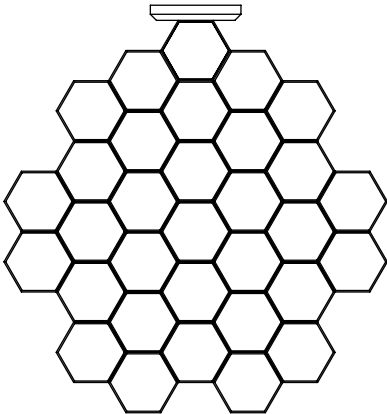
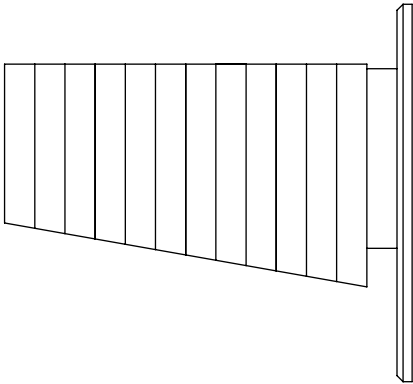
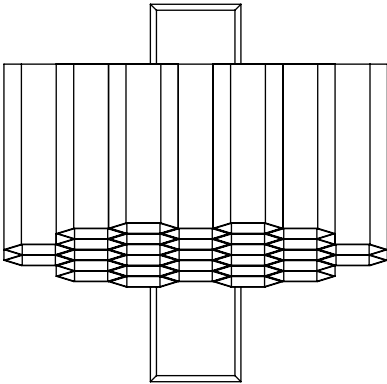
The Honeycomb Wall Lamp is a classic of our lamp range and is an exclusivity of GEDE.

INFO@GENERALDECORATION.COM
WWW.GENERALDECORATION.COM

GEDE

HONEYCOMB WALL LAMP

POLISHED BRASS, 1953



DIMENSIONS (MM)			WEIGHT	FINISHES
LENGHT	WIDTH	HEIGHT	4,5 Kg	Polished Brass
272	256	250		
GENERALDECORATION			SPRL GENERAL DECORATION 20 ROUTE DE BEAUMONT 1380 LASNE	